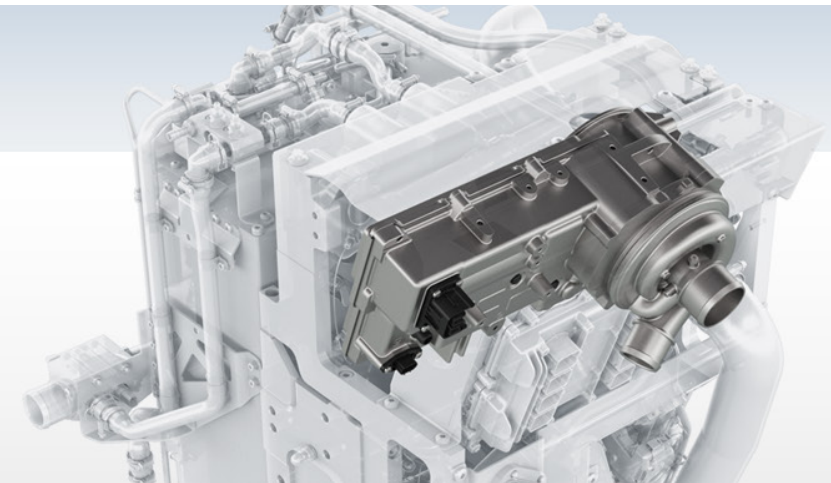
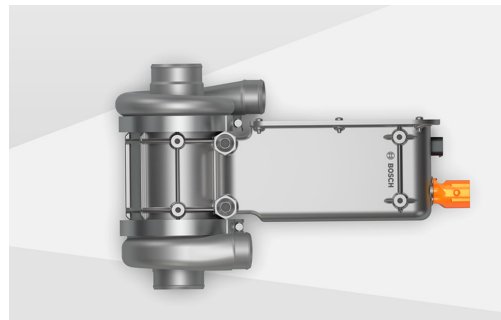
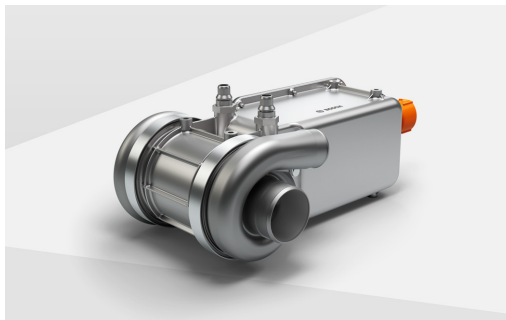


Electric air compressor

Supplies the fuel cell system with oxygen



Powertrain and electrified mobility



Flexible

Customer-specific aerodesign and installation position

Automotive standards

Hard- and software developed according to automotive standards

- Compact dimensions thanks to integrated power electronics
- Flexible aerodesign for adaptation to specific customer requirements for passenger cars and commercial vehicles
- Hard- and software developed according to automotive standards
- Low cost due to modular platform approach
- Oil-free to protect the stack
- Wide power range for fuel cell systems with different performances